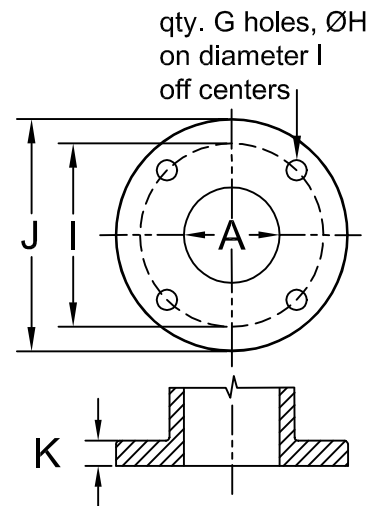
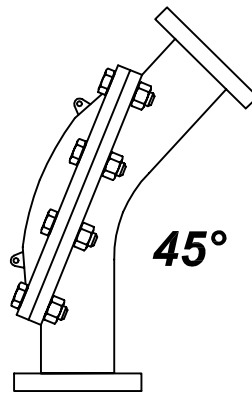
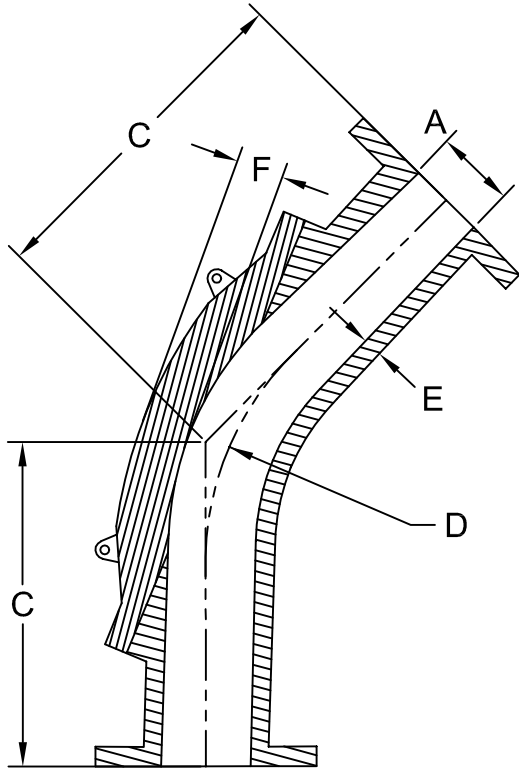
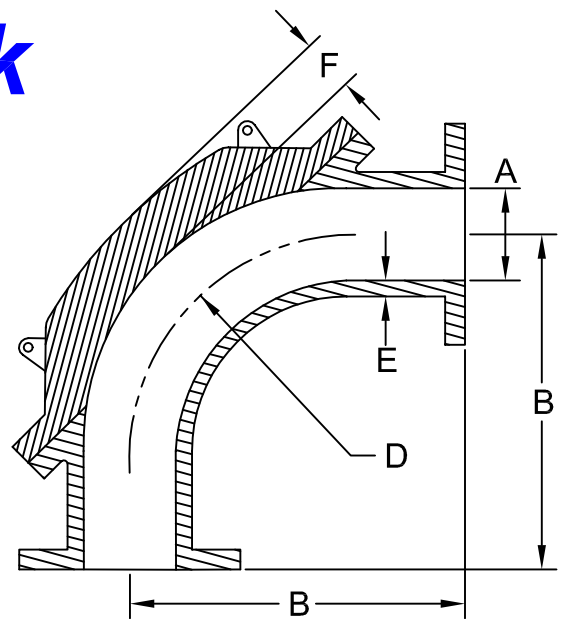
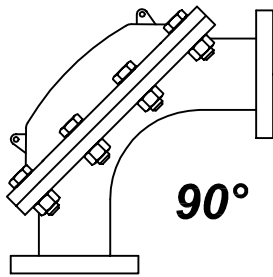


Ni-hard *WearBack* Corners



Dimensions are approximate and subject to change without notice.

I.D.	90°	45°	radius	wall	wearback	Flange Dimensions (ASA 150)					
A	B	C	D	E	F	G	H	I	J	K	weight
2	8	8	5	1/2	1-9/16	4	3/4	4-3/4	6	7/8	53
3	12-5/8	11	9-7/8	5/8	2	4	3/4	6	7-1/2	25/32	111
4	12-1/4	12-1/2	8-1/4	5/8	1-1/4	8	3/4	7-1/2	9	25/32	139
5	13-3/4	15	9-7/8	11/16	2	8	7/8	8-1/2	10-1/4	1	177
6	5	17	11-3/4	11/16	2	8	7/8	9-1/2	11-1/4	7/8	243
8	20	22	16	3/4	2-5/8	8	7/8	11-3/4	13-1/2	1-1/8	541
10	26	25	26	3/4	2	12	1	14-1/4	16	1	851
15	22-1/2	na	21	1	1-1/2	12	1	27-3/4	21-3/4	1	1,200

Copyright 1998 Bush & Wilton, Inc. - All Rights Reserved

BUSH & WILTON, INC.

P.O. Box 691385 | Charlotte, NC 28227- 7024

Tel: 704.573.6858 | Fax: 704.573.6802

mail@bushandwilton.com

http://www.bushandwilton.com