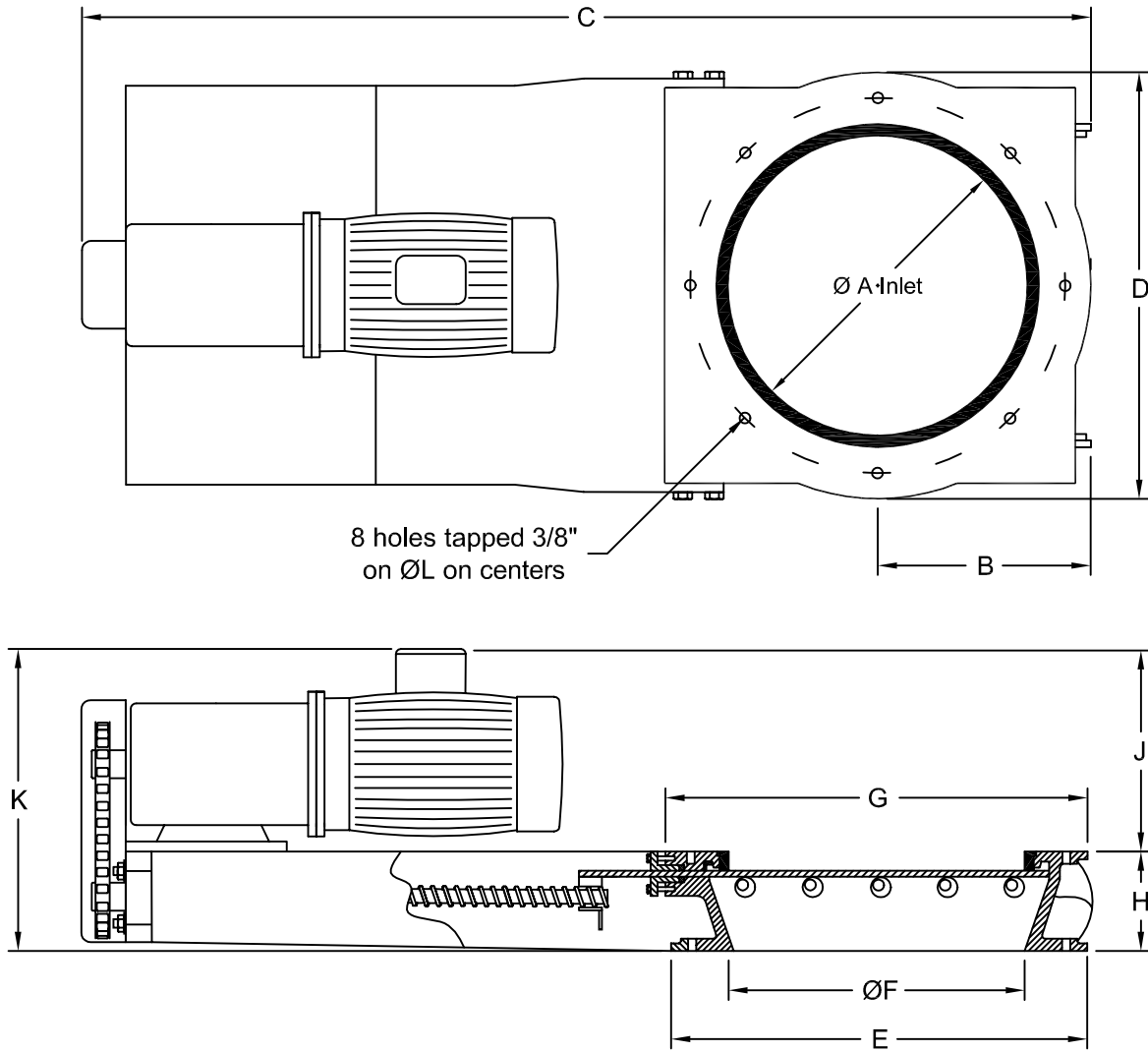


"SBE" SLIDE GATE with motorized lead screw



Dimensions are approximate and subject to change without notice.

Model	A	B	C	D	E	F	G	H	J	K	L	Weight
SB15E	6	5-5/16	25-3/4	10-5/8	10-5/8	6	10-5/8	3-1/2	7-7/8	11-1/4	9	71
SB20E	8	6-5/16	29-5/8	12-5/8	12-5/8	8	12-5/8	3-1/2	7-7/8	11-1/4	11	77
SB25E	10	7-1/4	33-5/8	14-5/8	14-5/8	10	14-5/8	3-1/2	7-7/8	11-1/4	13	88
SB30E	12	8-1/4	37-5/8	16-1/2	16-1/2	12	16-1/2	3-1/2	7-7/8	11-1/4	15	99

Copyright 1998 Bush & Wilton, Inc. - All Rights Reserved

BUSH & WILTON, INC.

P.O. Box 691385 | Charlotte, NC 28227- 7024

Tel: 704.573.6858 | Fax: 704.573.6802

mail@bushandwilton.com

http://www.bushandwilton.com