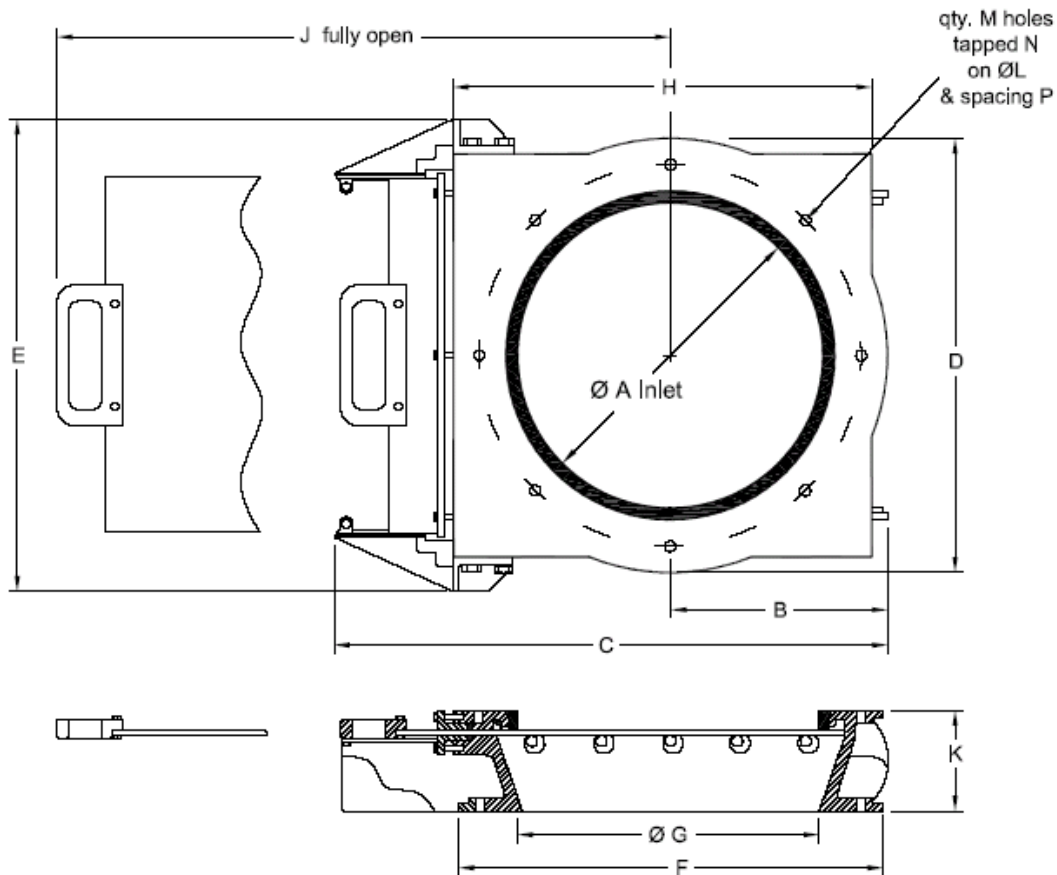


SBM MANUAL SLIDE GATE VALVE



Dimensions are approximate and subject to change without notice.

Valve Size	A	B	C	D	E	F	G	H	J	K	L	M	N	P	Weight KG
SB15M	150	135	394	270	302	270	150	270	430	89	230	8	M10	45° on centres	9.1
SB20M	200	160	444	320	352	320	200	320	505	89	280	8	M10	45° on centres	10
SB25M	250	185	494	370	402	370	250	370	580	89	330	8	M10	45° on centres	15.5
SB30M	300	210	544	420	452	420	300	420	655	89	380	8	M10	45° on centres	15.9
SB35M	355	267	680	533	515	533	355	533	800	102	476	12	M12	30° off centres	29
SB40M	405	300	800	597	600	597	405	597	900	102	540	16	M12	22.5° off centres	41

Weights are for aluminium – iron & stainless steel are approximately 2X weights shown

BUSH & WILTON LTD

1 Millennium Place
Tiverton Business Park
Tiverton

Devon EX16 6SB

Tel: + 44 (0) 1884 242233 Fax: + 44 (0) 1884 252555

sales@bushandwilton.com

<http://www.bushandwilton.com>