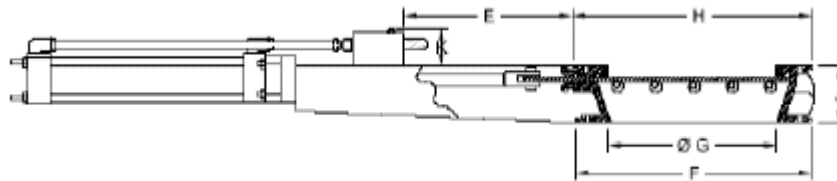
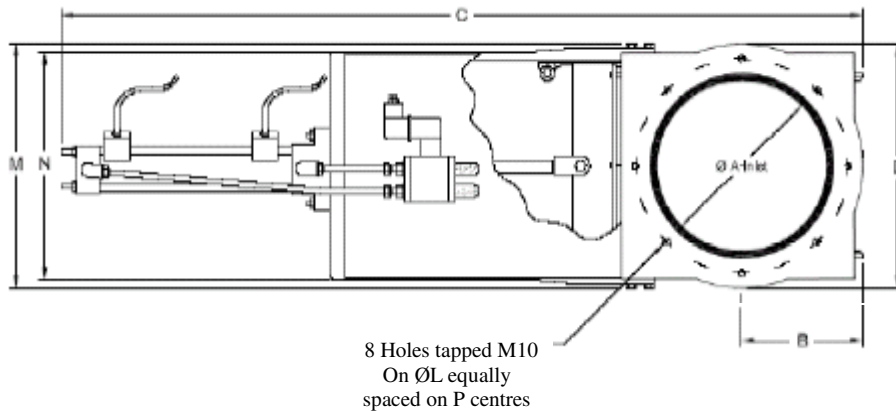


SBP PNEUMATIC SLIDE GATE VALVE (SINGLE CYLINDER)



Dimensions are approximate and subject to change without notice

Valve Size	A	B	C	D	E	F	G	H	J	K	L	M	N	P	Weight KG
SB15P	150	135	845	270	115	270	150	270	89	55	230	295	237	45° on centres	16
SB20P	200	160	995	320	165	320	200	320	89	55	280	345	287	45° on centres	18
SB25P	250	185	1145	370	215	370	250	370	89	55	330	395	337	45° on centres	22
SB30P	300	210	1295	420	265	420	300	420	89	55	380	445	387	45° on centres	20

Weights are for aluminium – iron & stainless steel are approximately 2X weights shown

BUSH & WILTON LTD

1 Millennium Place
Tiverton Business Park
Tiverton

Devon EX16 6SB

Tel: + 44 (0) 1884 242233 Fax: + 44 (0) 1884 252555

sales@bushandwilton.com

<http://www.bushandwilton.com>