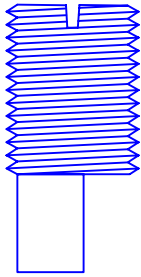
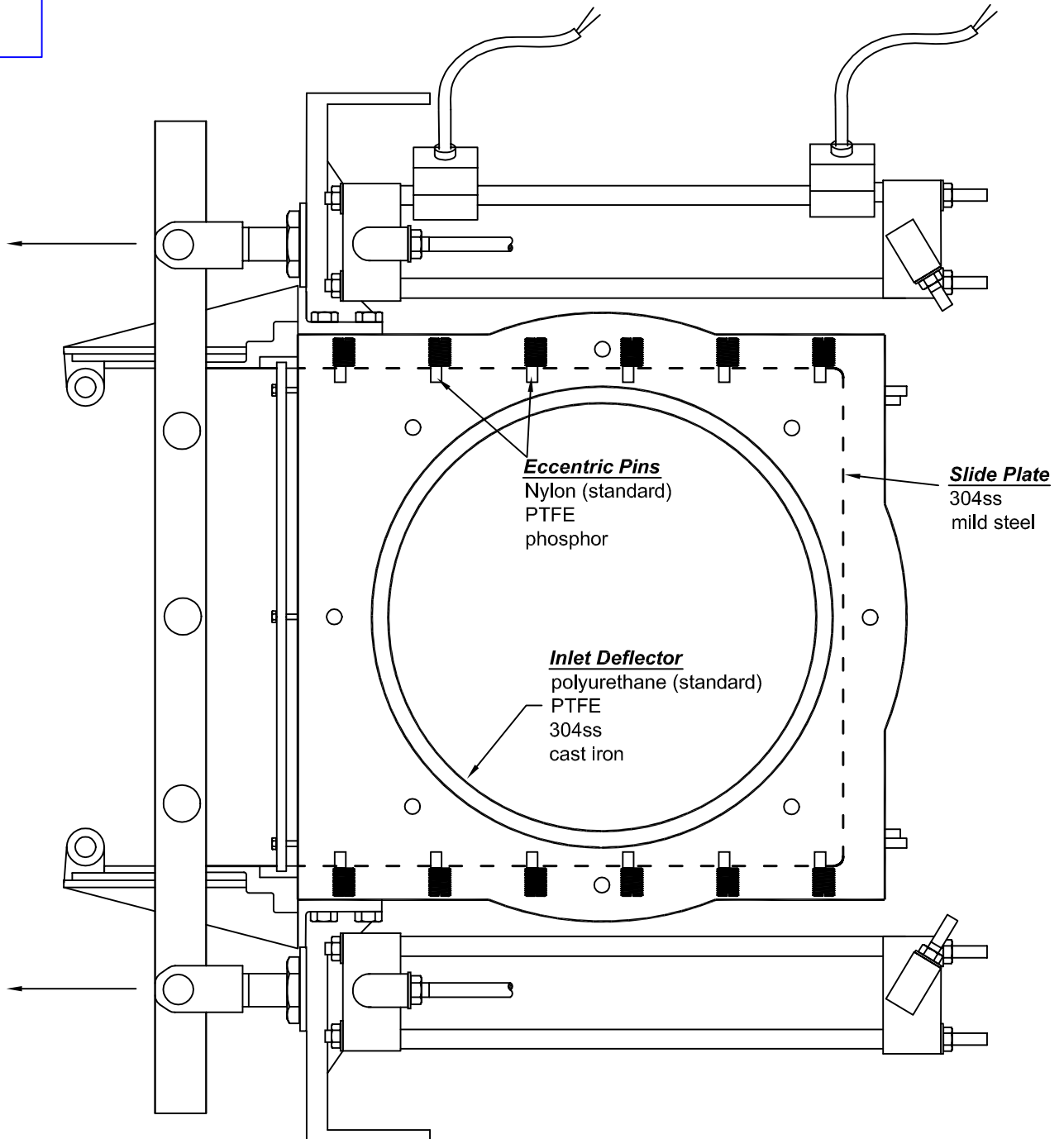


Eccentric Slide Support Pin Location "SB" Slide Gate Valves



The *eccentric pins* support the slide plate and keep the plate pressed up against the *inlet deflector*. The pins themselves are not in the direct flow of product.



Copyright 2000 Bush & Wilton, Inc. - All Rights Reserved

BUSH & WILTON, INC.

P.O. Box 691385 | Charlotte, NC 28227- 7024

Tel: 704.573.6858 | Fax: 704.573.6802

<http://www.bushandwilton.com>

mail@bushandwilton.com