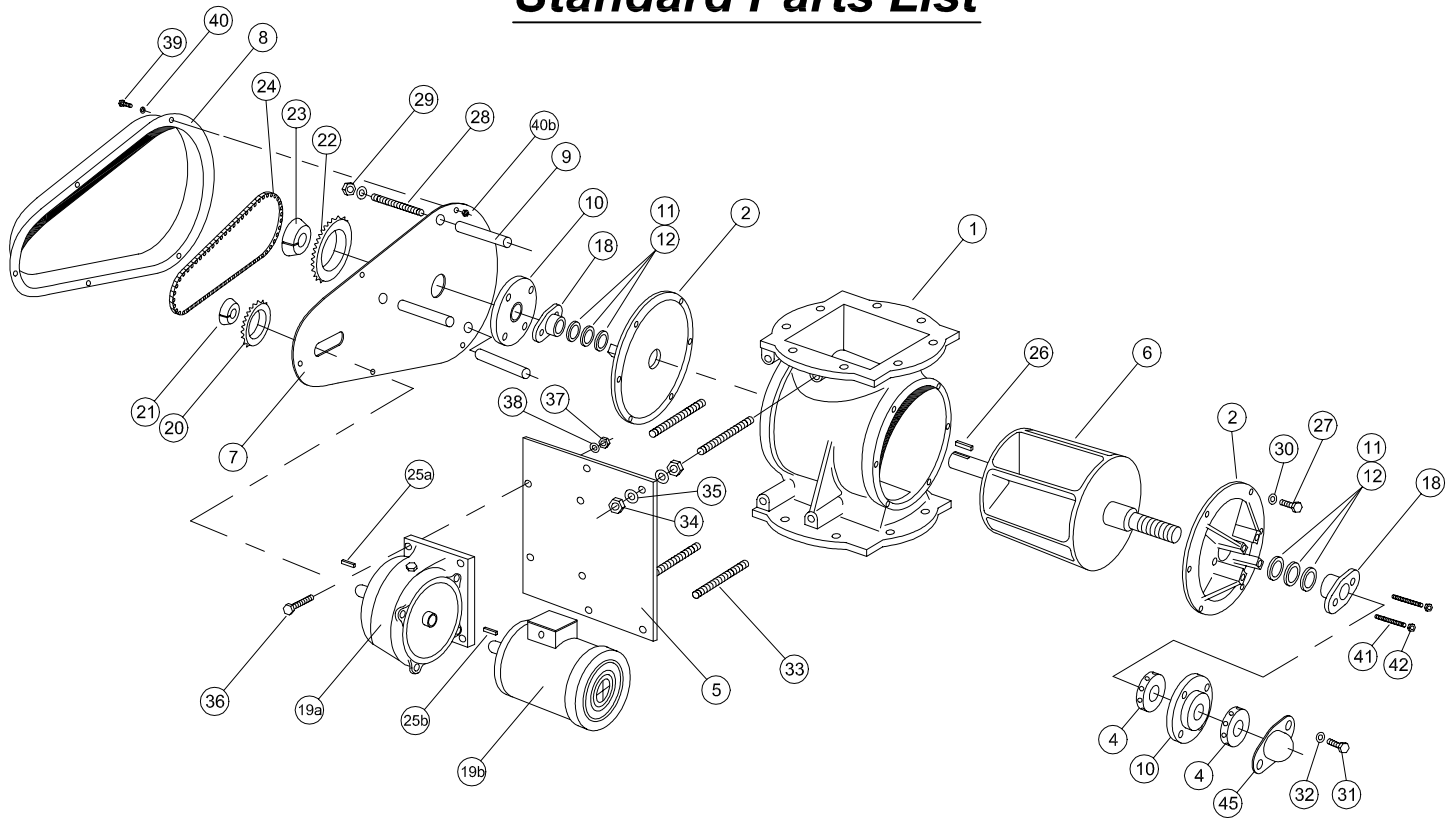


# "SR" Series Tapered Rotary Valve

## Standard Parts List



| Part No. | Description                   | No. per valve |
|----------|-------------------------------|---------------|
| 1        | body                          | 1             |
| 2        | end cover                     | 2             |
| 4        | rotor adjusting collar        | 2             |
| 5        | drive base plate              | 1             |
| 6        | rotor                         | 1             |
| 7        | drive backing back plate      | 1             |
| 8        | drive guard cover             | 1             |
| 9        | drive guard spacer            | 3             |
| 10       | bearing                       | 2             |
| 11       | packing                       | 6             |
| 12       | purge lantern ring (optional) | 2             |
| 18       | seal follower                 | 2             |
| 19a      | gear reducer                  | 1             |
| 19b      | motor                         | 1             |
| 20       | driving sprocket              | 1             |
| 21       | taperlock bushing             | 1             |
| 22       | driven (rotor) sprocket       | 1             |
| 23       | taperlock bushing             | 1             |
| 24       | roller chain                  | 1             |
| 25a      | gear reducer key              | 1             |

| Part No. | Description                    | No. per valve |
|----------|--------------------------------|---------------|
| 25b      | motor key                      | 1             |
| 26       | rotor key                      | 1             |
| 27       | end cover bolt                 | 9             |
| 28       | drive guard stud               | 3             |
| 29       | drive guard spacer nut         | 3             |
| 30       | washer                         | 12            |
| 31       | bearing bolt                   | 8             |
| 32       | bearing and follower washer    | 12            |
| 33       | motor base plate stud          | 4             |
| 34       | motor base plate nuts          | 12            |
| 35       | gear reducer base plate washer | 8             |
| 36       | gear reducer bolts             | 4             |
| 37       | gear reducer nut               | 4             |
| 38       | gear reducer washer            | 4             |
| 39       | drive guard cover cap screw    | 5             |
| 40       | drive guard cover washer       | 5             |
| 40b      | drive guard cover nut          | 5             |
| 41       | gland follower stud            | 4             |
| 42       | gland follower nut             | 4             |
| 45       | bearing cap                    | 1             |

## BUSH & WILTON