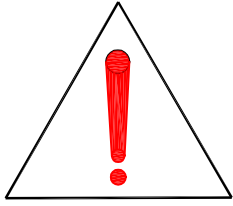
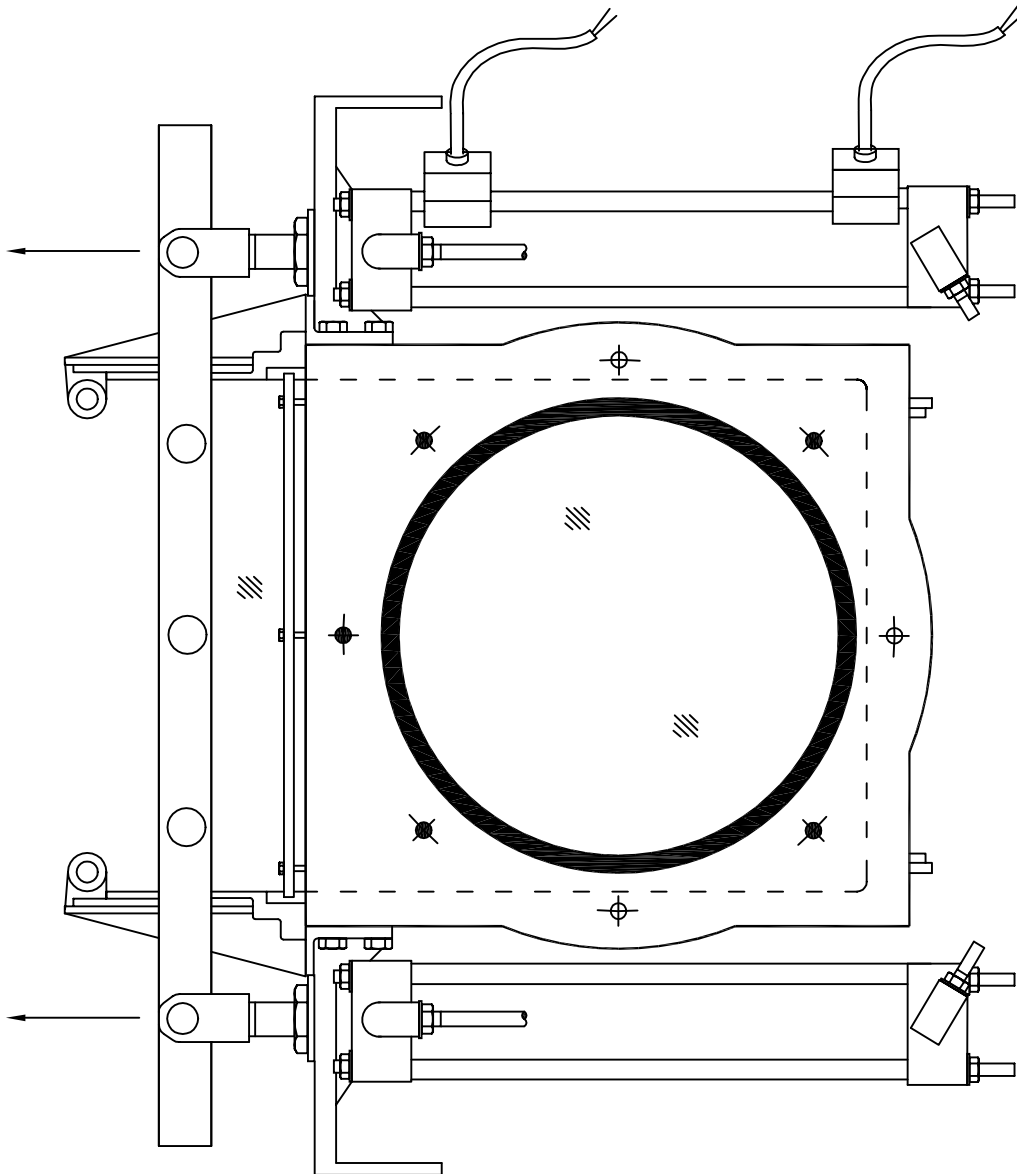


CAUTION! - Installation note for all "SB" Series SLIDE GATE VALVES



*Bolt length through the top flange of the valve must not exceed 12mm (0.472").
Bolts exceeding 12mm will strike the slide plate, preventing movement and damaging the sliding surface.*

Interfering Hole = ●
Non-Interfering Hole = ○



BUSH & WILTON