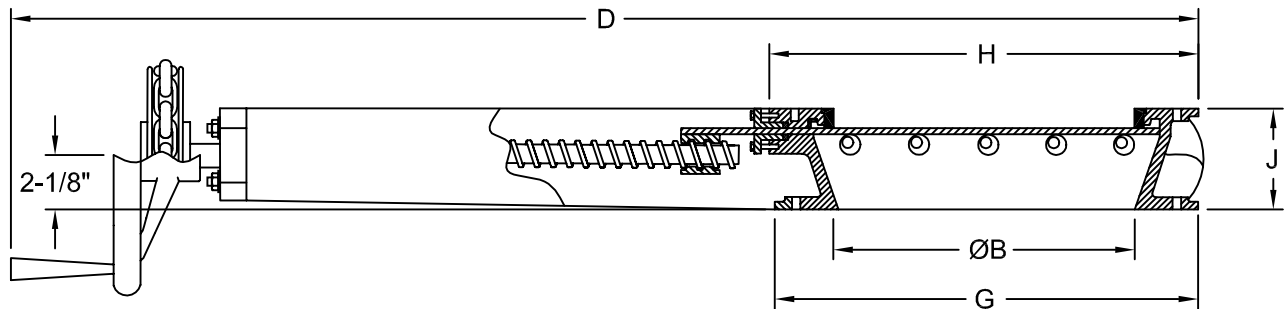
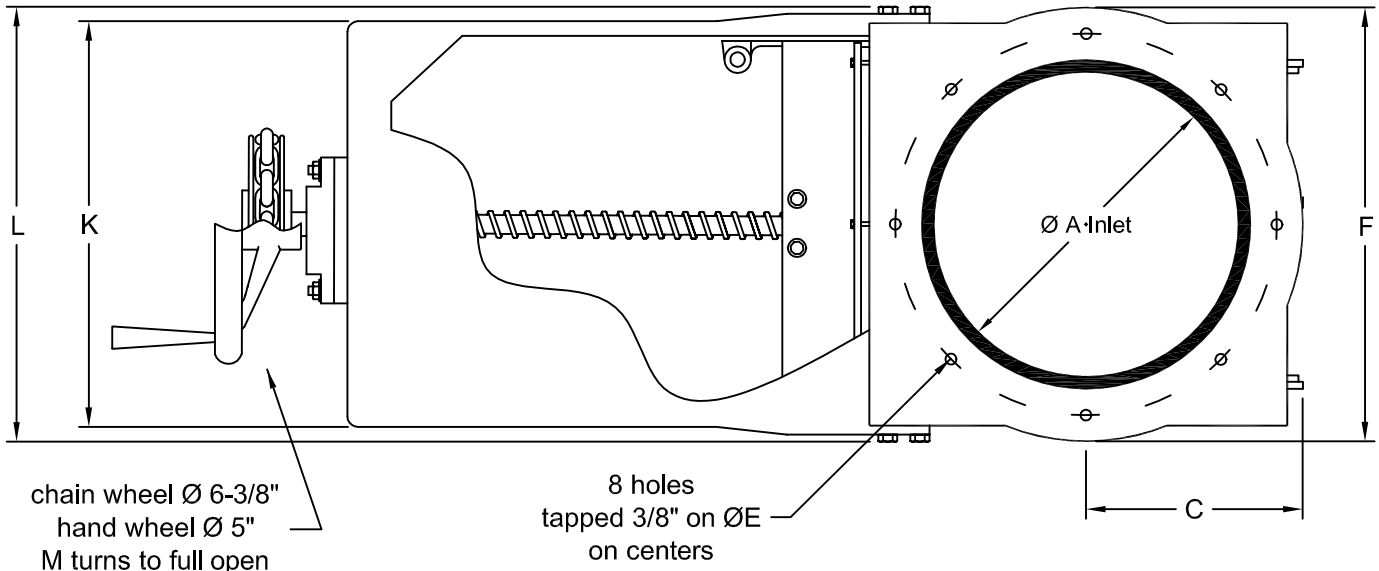


# "SBS" SLIDE GATE with manual lead screw



Dimensions are approximate and subject to change without notice.

Model	A	B	C	D	E	F	G	H	J	K	L	M	Weight
SB15S	6	6	5-5/16	26	9	10-5/8	10-5/8	10-5/8	3-1/2	9-3/8	11-5/8	36	26
SB20S	8	8	6-5/16	30	11	12-5/8	12-5/8	12-5/8	3-1/2	11-3/8	13-5/8	48	29
SB25S	10	10	7-5/16	34	13	14-5/8	14-5/8	14-5/8	3-1/2	13-3/8	15-1/2	58	44
SB30S	12	12	8-5/16	38	15	16-1/2	16-1/2	16-1/2	3-1/2	15-1/4	17-1/2	69	44

weights are for aluminum - iron & stainless are 2X weights shown

Copyright 2000 Bush & Wilton, Inc. - All Rights Reserved

## BUSH & WILTON, INC.

P.O. Box 691385 | Charlotte, NC 28227- 7024

Tel: 704.573.6858 | Fax: 704.573.6802

mail@bushandwilton.com

http://www.bushandwilton.com